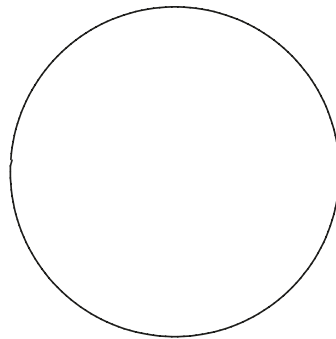
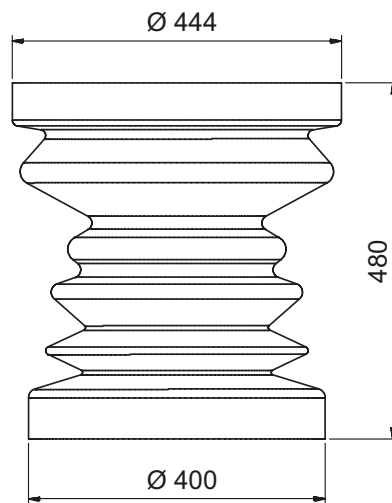


zig zag

COMPLEMENTO RISCALDANTE
ELECTRIC HEATERS



| MODEL | BASE MM | HEIGHT MM | DEPTH MM | POWER W | VOLT V | NET WEIGHT KG |
|---------|------------|--------------|-------------|------------|-----------|------------------|
| ZIG ZAG | 400 | 444 | 480 | 100 | 230 | 20 |