



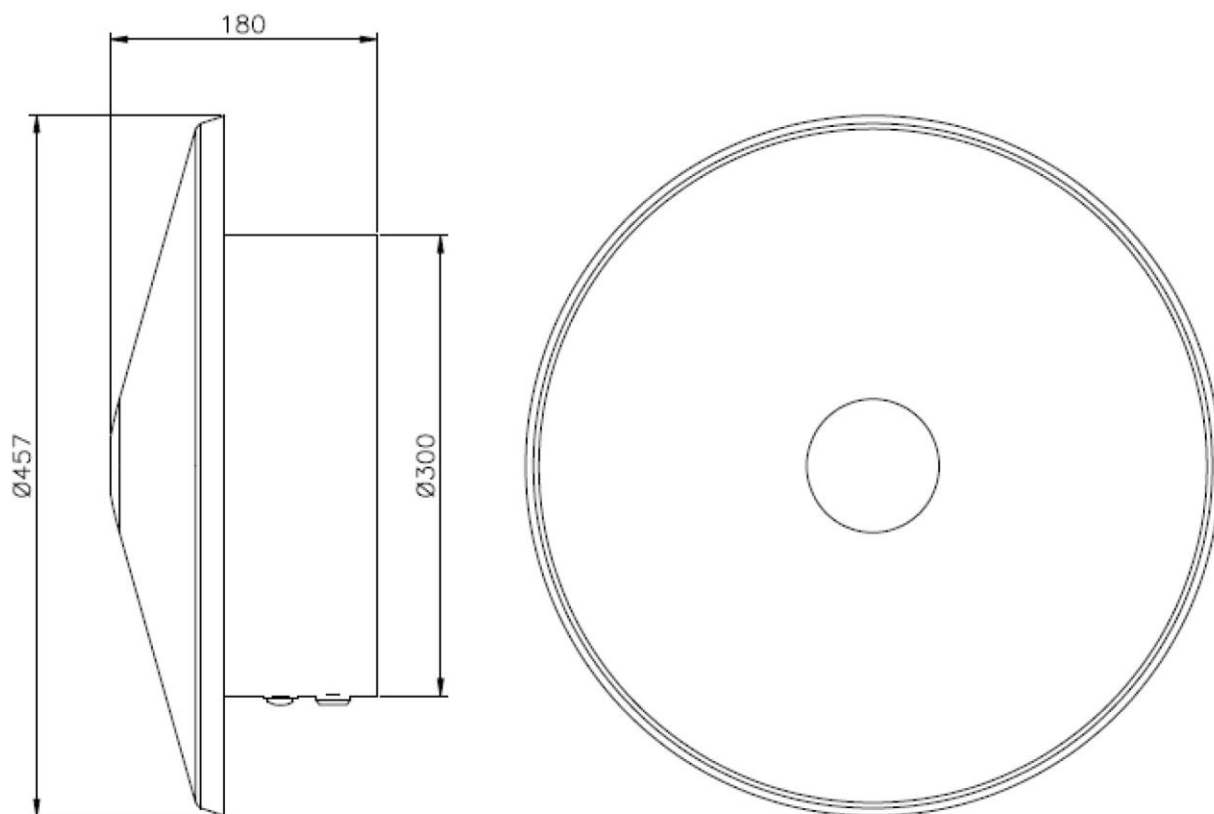
Shield300 | ELECTRICAL RADIATOR



Please retain these instructions sheet for future reference



INSTALLATION INSTRUCTION



TECHNICAL DATA

VOLTAGE: 230 VOLT 50 Hz

NOMINAL POWER: 300 W

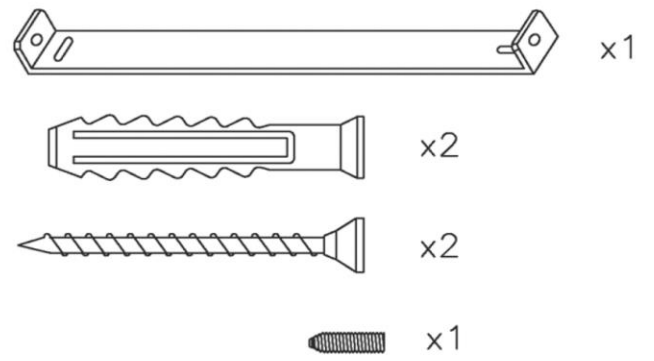
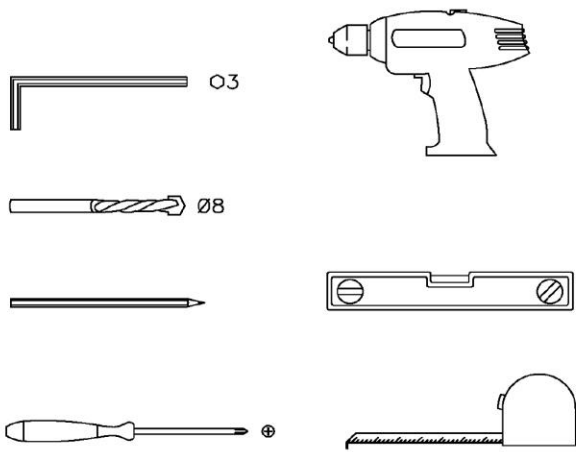
CLASS 1 ELECTRICAL APPLIANCE

PROTECTION CLASS: IP24

NORME DI RIFERIMENTO: EN60335-1; EN60335-2-30



HARDWARE TOOL



SAFE POSITIONING

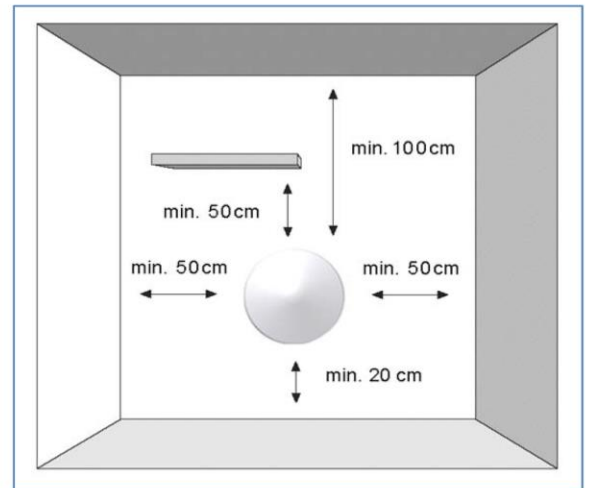
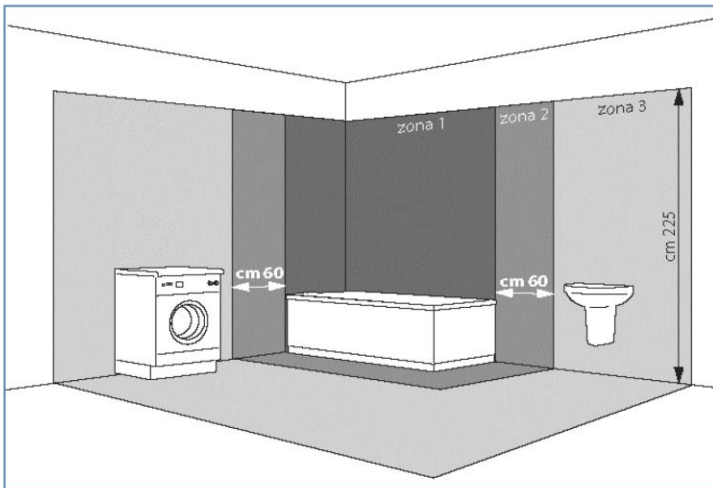
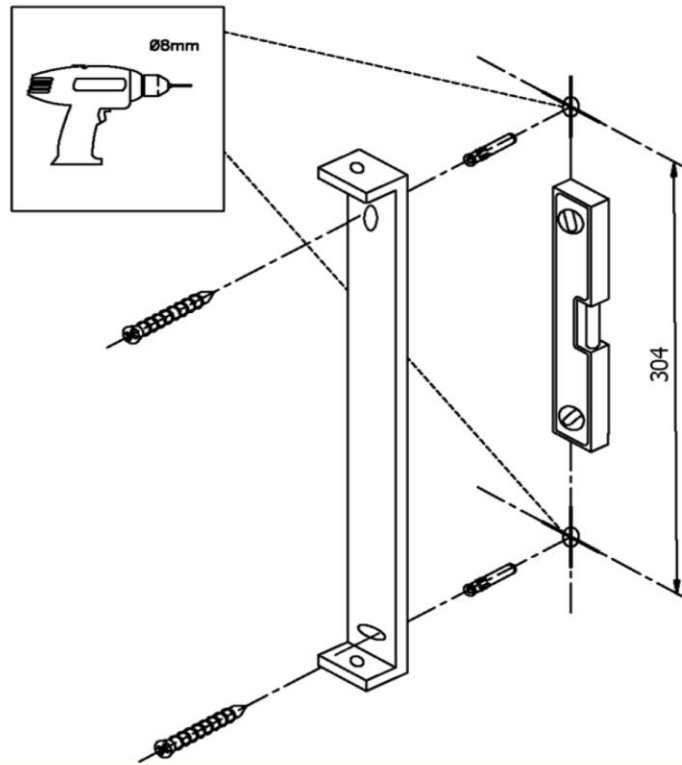


Fig. A

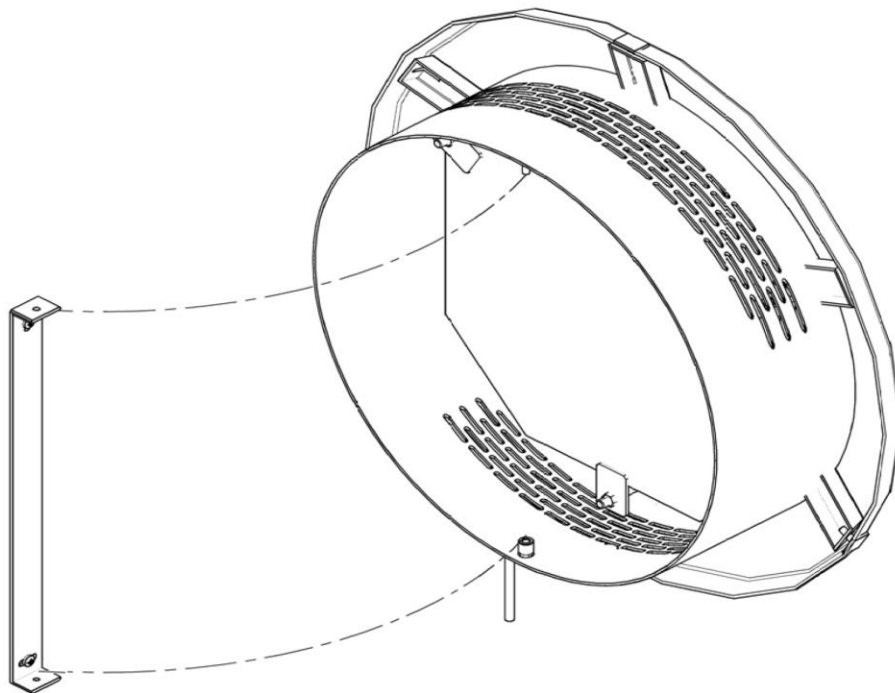


INSTALL ONLY IN ZONE 3

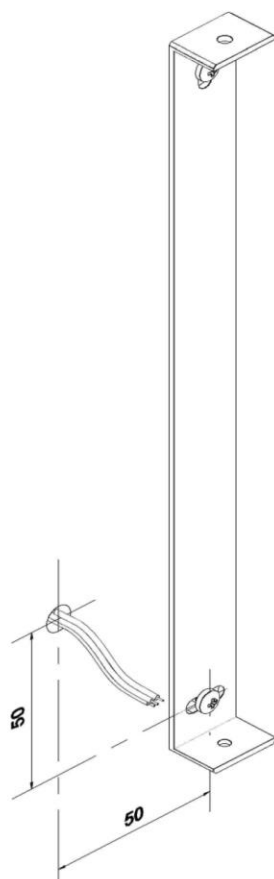
1



2S

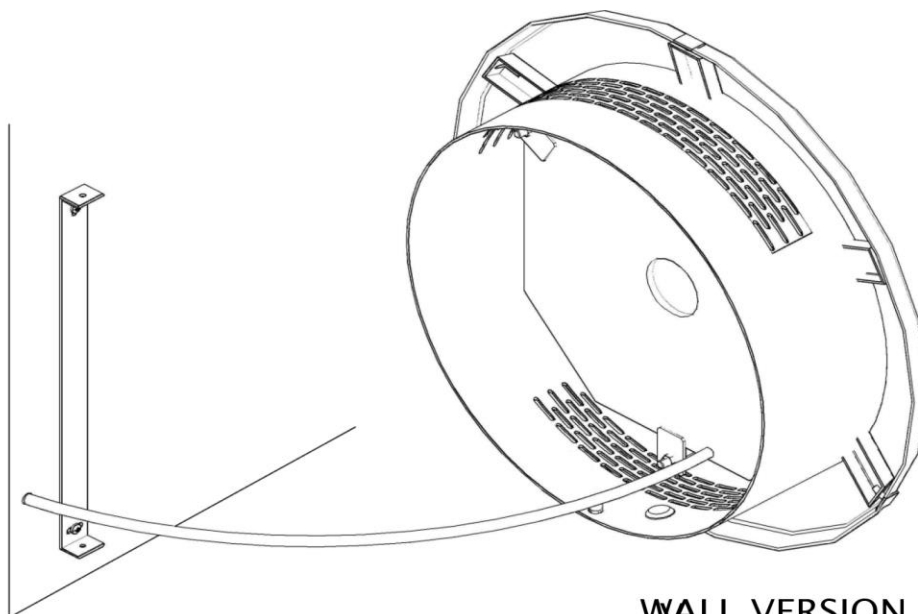


1W



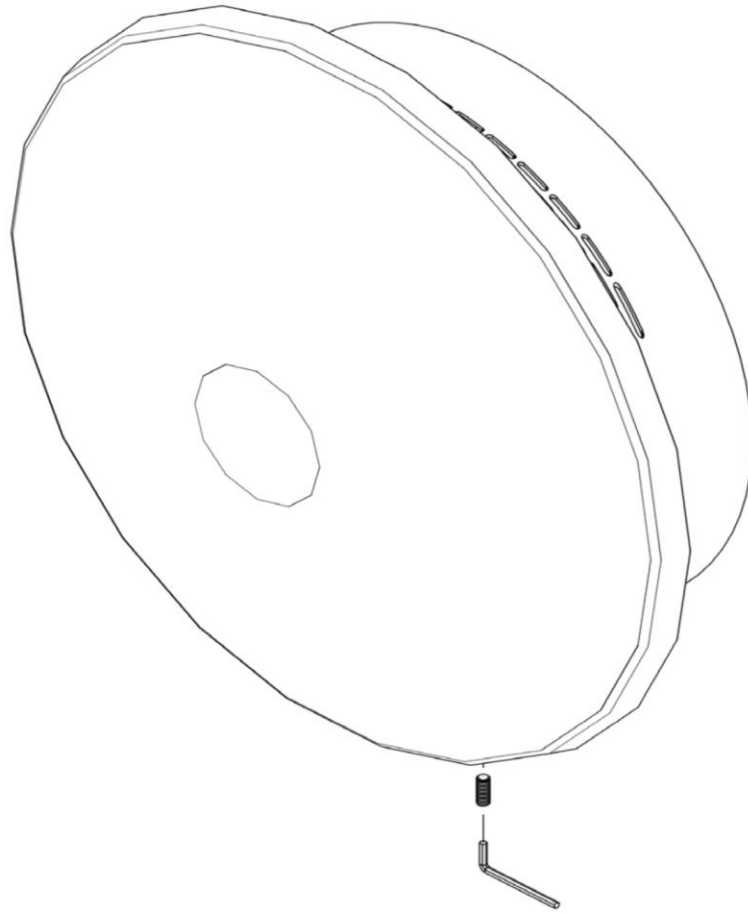
WALL VERSION

2W

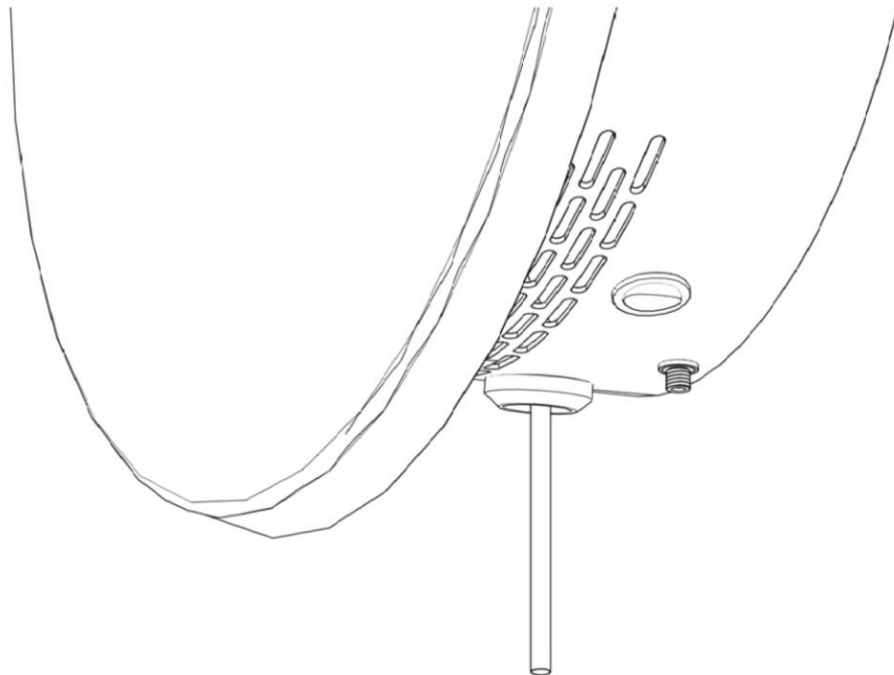


WALL VERSION

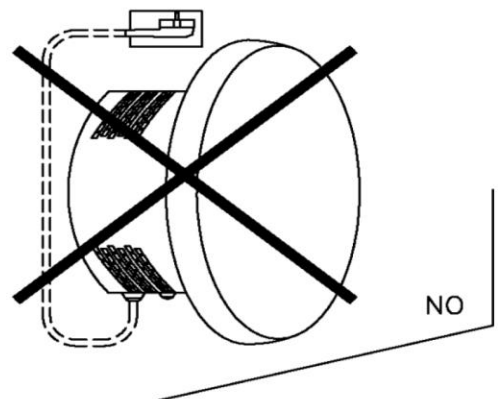
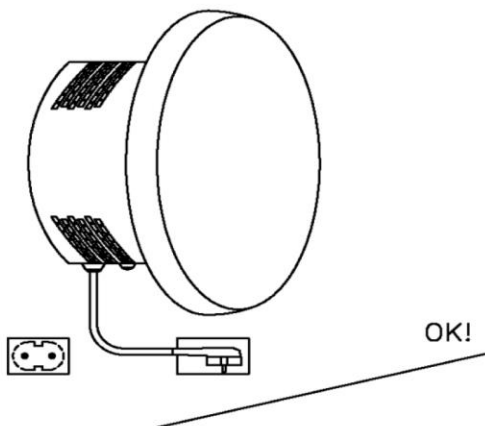
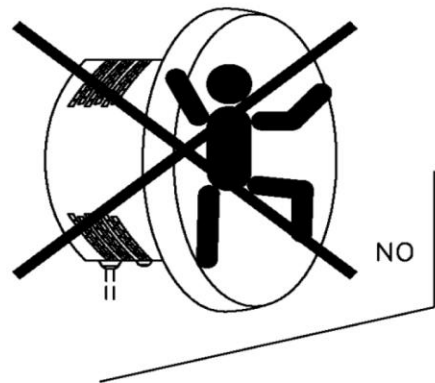
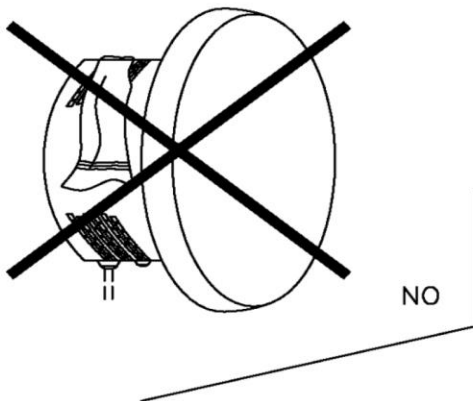
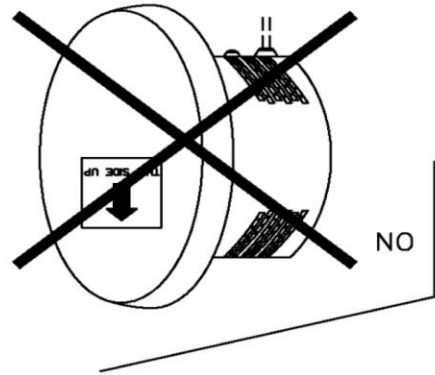
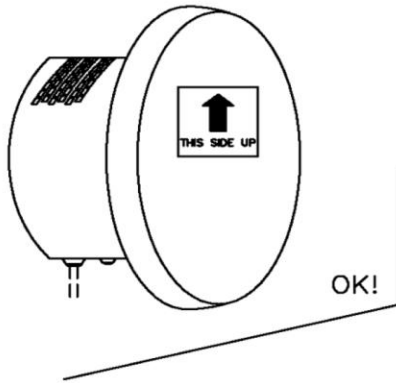
3



F



4





via Praglia, 15 - 10044 Pianezza [TO] - Italy
tel. / fax +39 011 9678803
www.homwarm.com - info@homwarm.com